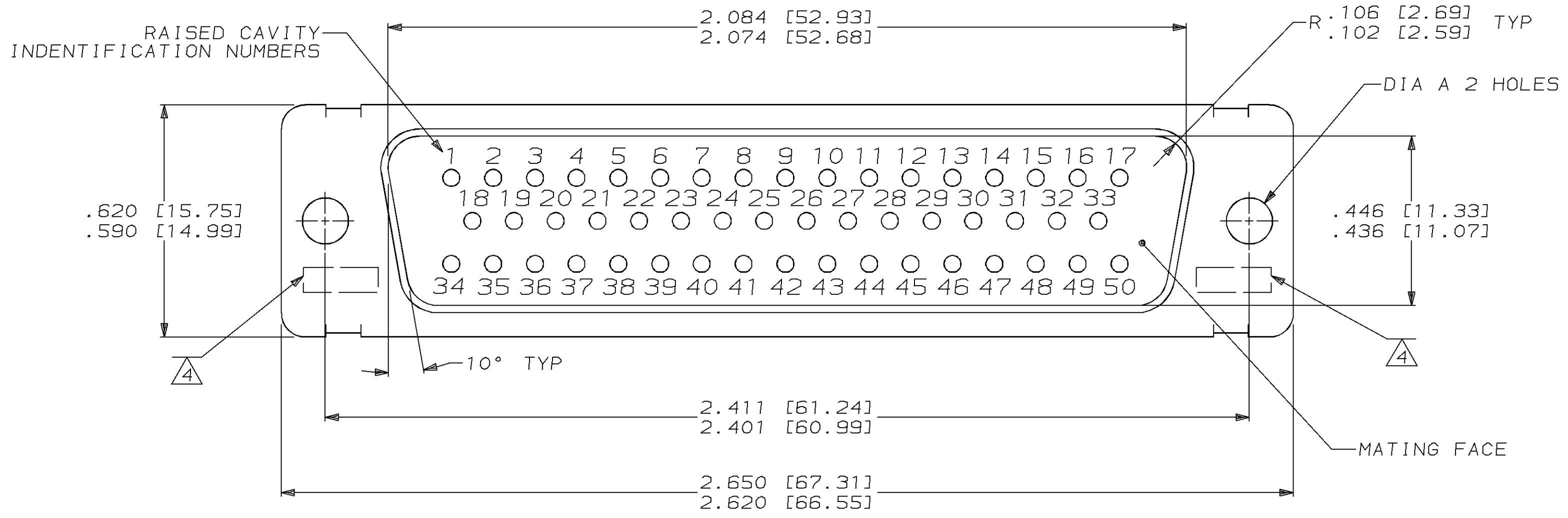
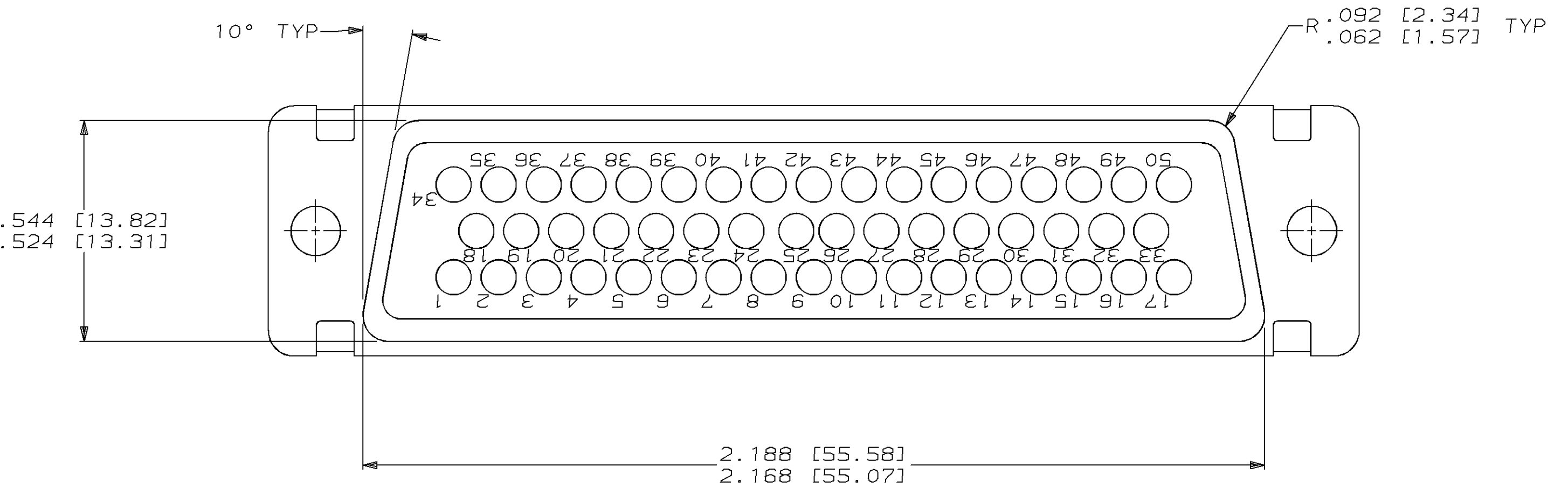
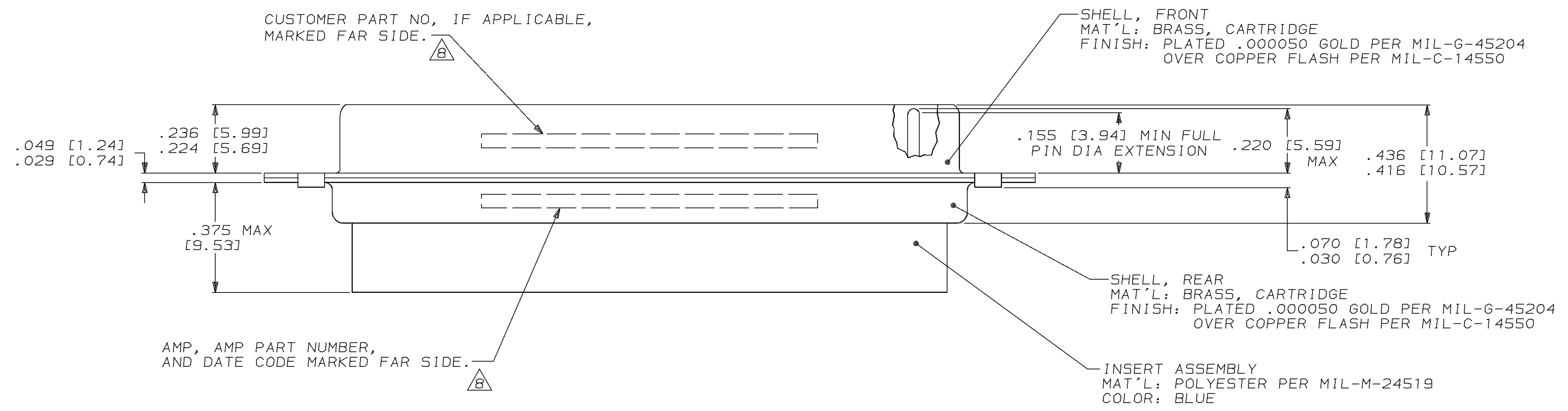


LOC		DIST		P		F		ZONE		LTR		REVISIONS		DATE	APPD		
DF	DO																
													E	REV PER DF-7017 & NPR 92-0172	AJG	12-92	FK
													F	REV PER 0600-2705-94	TT	11-03-94	DM
													G	REV PER ECN 0600-2881-94	JB	03-27-95	DM



- THIS PLUG WILL MATE WITH ANY RECEPTACLE CONNECTOR WITH THE SAME INSERT ARRANGEMENT AS DEFINED BY M518277-1.
- MAXIMUM WIRE INSULATION USED WITH THIS PLUG IS .072 [1.83] DIA.
- Be-Cu RETENTION CLIPS ARE INCLUDED IN INSERTS.
- UL/CSA DESIGNATION STAMPED IN THIS AREA, OPTIONAL.
- RESTRICTED TO CAE ELECTRONIC ONLY.
- THESE CONNECTORS ARE QUALIFIED TO GODDARD SPACE FLIGHT CENTER SPECIFICATION S-311-P-4.
- CONTACT NOT INCLUDED - SHOWN FOR DIMENSIONAL REFERENCE ONLY.
- FAR SIDE REFERS TO WIDE SIDE OF KEYSTONE.



REMARKS	DIA A	CUSTOMER P/N ON CONNECTOR	AMP P/N ON CONNECTOR	AMP P/N
△△	.120 [3.05]	311P409-5P-B-12	206804-2	206804-4
—	.154 [3.91]	N/A	206804-3	206804-3
△	.120 [3.05]	311P409-5P-B-12	206804-2	206804-2
△	.154 [3.91]	311P409-5P-B-15	206804-1	206804-1

DO NOT SCALE PRINT. UNLESS SPECIFIED DIMENSIONS IN INCHES [mm] TOLERANCES ON : 2 PLC DEC ± - 3 PLC DEC ± - ANGLES ± 1°	DR 12-23-92 AJ GRAFF CHK 12-24-92 B.GILLMAN APPD 12-24-92 F.KINSEY MATERIAL SEE CALLOUTS FINISH SEE CALLOUTS	DR 12-23-92 AJ GRAFF CHK 12-24-92 B.GILLMAN APPD 12-24-92 F.KINSEY PRODUCT SPEC MIL-C-24308 APPLICATION SPEC - WEIGHT -	AMP INCORPORATED Harrisburg, Pa. 17105 NAME AMPLIMITE NONMAGNETIC PLUG ASSY WITHOUT SIZE 20 CRIMP TYPE PIN CONTACTS, SERIES 109, SHELL SIZE 5, 50 POSITION SIZE D FSCM NO 00779 DRAWING NO 206804 SCALE 4:1 SHEET 1 of 1
---	---	---	--